



Easy Load. Easy Go.

The New One Series Ultra Implantation System



**Advanced control
meets ease-of-use**

Introducing the
One Series Ultra Implantation System
for the TECNIS® 1-Piece IOL



The technologically advanced insertion system built for the next-generation TECNIS® 1-Piece IOL

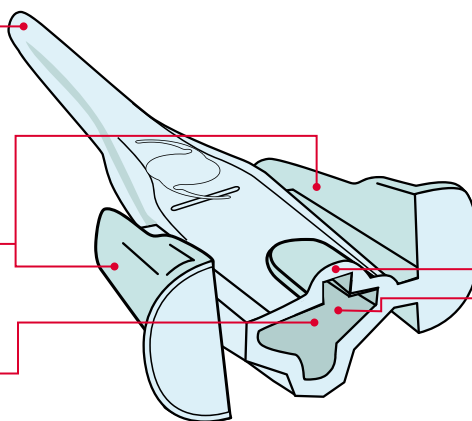
NEW Easy-to-load One Series Ultra Cartridge

Model Number: 1VIPR30

MICRO TIP Designed for coplanar lens delivery into the capsular bag through an unenlarged phaco incision

CARTRIDGE GRIP Ergonomic design facilitates secure handling and positioning into the inserter

INNER COATING Proprietary lubricous coating allows for smooth lens delivery



CANOPY Specially designed to assist folding of leading haptic

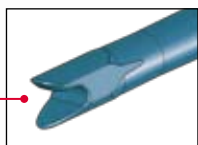
LOADING ZONE Broad, force-friendly area to effortlessly introduce the lens into the cartridge

NEW Controlled-delivery Inserter

Model Number: DK7786

Y-TIP PLUNGER ROD

- Rounded, capsular-friendly dimensions assist lens manipulation postimplantation
- Distinctive blue color for easy visibility in the cartridge and reduced microscope reflections



SYRINGE-STYLE

- Controlled, single-handed delivery for efficient lens implantation
- Consistent insertion forces result in predictable lens delivery from start to finish
- High-quality titanium material and durable construction for safe, reliable implantation

CARTRIDGE LOCK

- Quick and easy snap-in design for secure cartridge loading
- Assures correct position of cartridge every time

Experience the next-generation in **TECNIS® 1-Piece insertion** today. Call your AMO representative or visit www.tecnisiol.com



Part of the **AMO® Complete Refractive Solution**

AMO Germany GmbH • Rudolf-Plank-Strasse 31 • 76275 Ettlingen • Germany • www.abbottmedicoptics.com

AMO, TECNIS, the TECNIS logo and One Series are trademarks owned by or licensed to Abbott Laboratories, its subsidiaries or affiliates.

TECNIS® foldable intraocular lenses are indicated for primary implantation for the visual correction of aphakia in adults in whom a cataractous lens has been removed by phacoemulsification. The lenses are intended to be placed in the capsular bag. Rx only. For a complete listing of precautions, warnings, and adverse events, refer to the package insert.

©2009 Abbott Medical Optics Inc., Santa Ana, CA 92705 www.abbottmedicoptics.com

